

dB ULTRASONIC TRANSDUCER SERIES

Compact, low-power design that gives exceptional results even in challenging situations.

Non-contact ultrasonic transducers to create the perfect solution for your application.

Previously, users had a choice between high-voltage, frequency-dependent transducers that were susceptible to electrical noise and needed special, protected interconnecting cables, and weak, low-power transducers that had good hazardous area performance but performed poorly in any but the simplest application.

The dB ultrasonic transducer range has changed all of that, creating a compact, low power transducer design that can be Intrinsically Safe certified and uses standard interconnecting cables, yet produces extremely high acoustic power to give exceptional results in a wide variety of applications.

Features & Benefits

Combine a dB ultrasonic transducer with any of Pulsar Measurement's Ultra, FlowCERT, Zenith, Quantum, or Blackbox control units to create the perfect solution for your application. All transducers have flammable atmosphere approval as standard.

Standard transducer bodies are made from Valox 357 PBT with a special foam radiating face. Some are available with both body and sealed front face in PVDF for corrosive applications.



THE RIGHT METER FOR

- Wet Well Level Measurement
- Tank Level Measurement
- Silo Level Measurement
- Pump Control Applications
- Shaft Tank Monitoring
- Digester Levels

Flanged Transducers

Flange options are available for dB3, dB6, dB10, and dB15 transducers, ANSI or DIN specification, all featuring full PTFE coating on the process wetted side. Various flange sizes are available. The maximum vessel pressure on flanges is 0.5 bar (7 psi). These incorporate the performance features of the standard products but additionally offer a front thread mount option to suit threaded nozzles or flanged tank entries.

These integral flange options are available with the standard family of transducers, up to the dB15 size.

Foam Face

A foam faced option is available for all the standard range transducers to provide more acoustic power output in dry, dusty environments. This higher acoustic power output increases return echo strength in these dry applications.

Submergence Shield

A shield can be fitted to keep the transducer face clean and dry in applications at risk of submergence. In the case of submergence, the controller can be asked to fail high, low, or hold the last reading. When the level drops back below the shield, it allows the controller to resume operation with a clean transducer face. The shield can be fitted to the dB3, dB6, dB10, dB15, and dB25 standard transducers.



dB15 with Submergence Shield

dBMACH3: High Accuracy Open Channel Flow Transducer

Featuring unique sun and submergence shields, the dBMACH3 transducer is designed specifically for open channel flow applications and is the first ultrasonic transducer with zero effective blanking distance beyond the nose cone, allowing it to be sited as little as a few mm from the high-flow level. One of the critical factors affecting ultrasonic accuracy is the measurement distance, so by minimizing the distance, accuracy is maximized. Operating at 125kHz frequency the transducer provides high resolution and accuracy. Essential in open channel flow applications. The dBMACH3 is used with the Ultra 4 or 5 and TWIN when in open channel flow mode, or can be paired with FlowCERT all of which provide a typical accuracy of ± 1 mm (0.04 in).



dBMACH3 High Accuracy Open Channel Flow Transducer

Sanitary Flanged Transducers

For standard transducer from dB3 to dB10 an option of a sanitary flange construction exists. The flange has a full face PTFE (dB3) or PVDF seal for use in hygienic applications. The flange is available in 2" or 3" (on dB3) and 3" on the dB6 and dB10 units. These flanges allow Tri-Clamp fittings to be used on tanks or vessels.

Cable Options

Transducer cable lengths are supplied as standard 5 m, 10 m, 20 m, or 30 m (16 ft, 32 ft, 65 ft, 98 ft). Longer lengths can be supplied as required in 10 m (32.8 ft) steps. It is important to note that the supplied transducer cable may be extended by using standard 2 or 3 core screened cables for up to 1,000 m (3,280 ft) or beyond if needed. No separation is required between the transducer and other cables as they are not susceptible to crosstalk and significant costs can be saved on-site.

Blind Flanges

A range of blind PVC flanges with central 1" BSP or NPT hole is available. These are for mounting transducers within a standpipe or tank using rear thread or dB3 front thread mounting. These are available in 2", 3", 4", and 6" ANSI or DIN 80, DIN 100, DIN 150, and DIN 200 patterns.

Technical Specifications

PHYSICAL: TRANSDUCER SPECIFIC

Model:	Dimensions:	Dia Face:	Weight:	Measurement Range:	Frequency:	Beam Angle:
dB3	78 (D) mm x 115 (H) mm (3.1 in x 4.5 in)	19 mm (0.7 in)	1.1 kg (2.4 lb)	125 mm to 3 m (4.9 in to 9.8 ft)	125kHz	<10°
dB6	86 (D) mm x 106 (H) mm (3.4 in x 4.2 in)	30 mm (1.2 in)	1.1 kg (2.4 lb)	300 mm to 6 m (11.8 in to 19.7 ft)	75kHz	<10°
dB56	86 (D) mm x 106 (H) mm (3.4 in x 4.2 in)	45 mm (1.8 in)	1.1 kg (2.4 lb)	200 mm to 6 m (7.9 in to 19.7 ft)	50kHz	<10°
dB10	86 (D) mm x 106 (H) mm (3.4 in x 4.2 in)	45 mm (1.8 in)	1.1 kg (2.4 lb)	300 mm to 10 m (11.8 in to 32.8 ft)	50kHz	<10°
dB15	86 (D) mm x 122 (H) mm (3.4 in x 4.8 in)	60 mm (2.4 in)	1.2 kg (2.6 lb)	500 mm to 15 m (19.7 in to 49.2 ft)	41kHz	<8°
dB25	105 (D) mm x 142 (H) mm (4.1 in x 5.6 in)	78 mm (3.1 in)	1.4 kg (3.1 lb)	600 mm to 25 m (23.6 in to 82 ft)	30kHz	<6°
dB40	205 (D) mm x 223 (H) mm (8.1 in x 8.8 in)	160 mm (6.3 in)	6 kg (13.2 lb)	1.2 m to 40 m (3.9 ft to 131.2 ft)	20kHz	<5°

PHYSICAL: ALL TRANSDUCERS

Sensor Body Material:	Valox 357 U and syntactic foam face
Cable Lengths:	Standard: 5 m, 10 m, 20 m, 30 m, 50 m, or 100 m (16.4 ft, 32.8 ft, 65.6 ft, 98.4 ft, 164 ft, 328.1 ft). Optional: up to 150 m (492 ft) maximum (increments of 10 m (32.8 ft) only)
Maximum Separation:	500 m (1,640 ft)
Mounting Connection:	BSP or 1" NPT

ENVIRONMENTAL

Enclosure Protection:	IP68 / NEMA 6P
Max. And Min. Temperature (Electronics):	Standard: -40° C to +90° C (-40° F to +194° F) Hazardous area versions: -40° C to +75° C (-40° F to +167° F)

APPROVALS

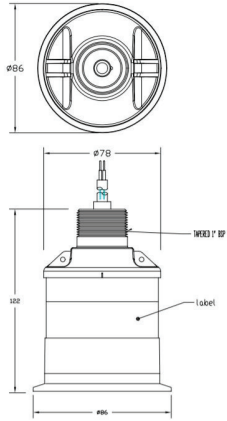
CE Approval:	2014/30/EU to EMC & 2014/34/EU ATEX Directives. Standards applied: EN 60079-0:2012+A11:2013 / EN 60079-11:2012 / EN 60079-18:2009 / EN 60079-26:2007 / EN 61326-1:2013
Hazardous Locations:	Standard: ATEX/IECEX Ex mb IIC T6 Gb, Ex mb IIC T85° C Db, Ta = -40°C to +75°C and cFMus suitable for Class I, Division 1, Groups A, B, C, D; Class II, Division 1, Groups E, F, G; Class III, Division 1; T4 Ta = -40°C to +75°C, Type 4X Optional: ATEX/IECEX EEx ia IIC T6 (Tamb = -40°C to +75°C) and cFMus intrinsically safe for Class I, Division 1, Groups A, B, C, D; Class II, Division 1, Groups E, F, G; Class III, Division 1; T4 Ta = -40°C to +75°C; Type 4X

TRANSDUCER OPTIONS

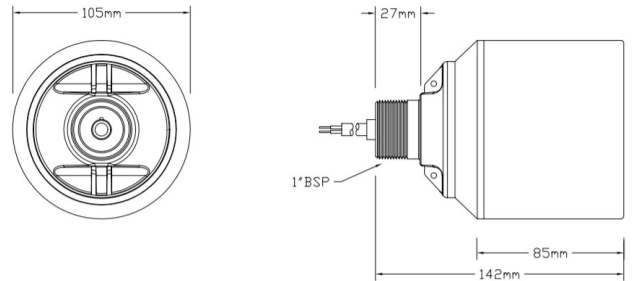
Model:	dB3	dB56	dB6	dB10	dB15	dB25	dB40
PVDF		✓	✓	✓			
Front Threaded / PVDF	✓	✓	✓	✓			
Submergence Shield	✓	✓	✓	✓	✓	✓	
Flanged DIN/ANSI		✓	✓	✓	✓		
Foam Face		✓		✓	✓	✓	✓
Sanitary Flange		✓	✓	✓			
Intrinsically Safe of All the Above	✓	✓	✓	✓	✓	✓	✓

PERFORMANCE

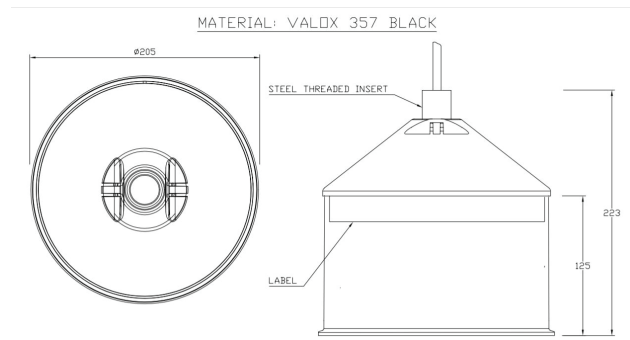
Accuracy:	0.25% or 6 mm (0.2 in) whichever is greater
Resolution:	0.01% or 2 mm (0.08 in) whichever is greater
Temp. Compensation:	Automatic, internal temperature sensor, ± 0.5 °C/°F



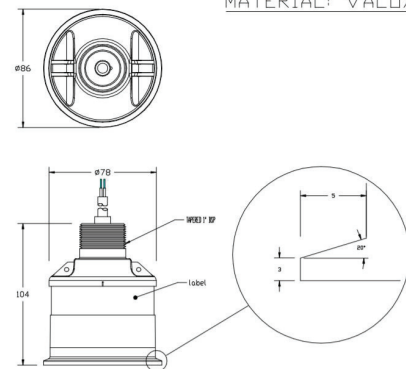
dB15 Transducer Drawing



dB25 Transducer Drawing



dB40 Transducer Drawing



dB6 & 10 Transducer Drawing

MATERIAL: VALOX 357



INFO@PULSARMEASUREMENT.COM

Pulsar Measurement is a trading name of Pulsar Process Measurement Ltd.

Copyright © 2022 Pulsar Measurement
Registered Address: 1 Chamberlain Square CS, Birmingham B3 3AX
Registered No.: 3345604 England & Wales

Delivering the Measure of Possibility

United States
+1 888-473-9546

Asia
+60 102 591 332

Canada
+1 855-300-9151

Oceania
+61 428 692 274

United Kingdom
+44 (0) 1684 891371

pulsarmeasurement.com

Rev 7.0